

Alfred

FOOTREST



Alfred footrest is a classic and modern place to rest tired feet and a lovely alternative to the standard coffee table. The design is round and oozes contemporary elegance.

SOFACOMPANY

MATERIAL COMPONENTS

Frame: FSC wood 100%

Foam: High Resilience Fire Retardant Foam

Legs: Wood: FSC wood 100%

Surface meets requirements of.:

Reach, Painted: standard 16 CFR 1303 – PASS

SAFETY AND STABILITY

Our products are always developed and tested against EN 16139. 1 & 2.

EN-1021 1 & 2, BS5852 0 & 1, CA TB 117-2013.

PACKAGING MATERIAL & SHIPPING

The use of packaging materials are minimized without compromising protection of the product during transport. Chairs and sofas are protected in a cardboard box and when needed wrapped in a protective layer of recycled plastic. Shipping and transportation is in addition CO2 neutral.

PACKAGE MEASUREMENTS

29 x 79 x 79 cm, 17 kg

WARRANTY

Warranty against manufacturing defects (materials and craftsmanship) is standard as follows:

Frame: Lifetime

Foam: 5 years

Upholstery/Fabric: 5 years

Wear, tear and damages to the products are not covered under this warranty.

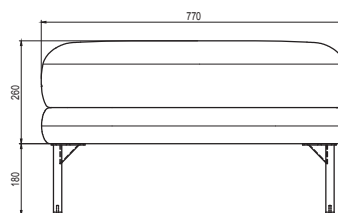
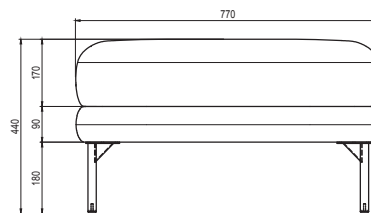
TEXTILE

See our textiles [here](#)

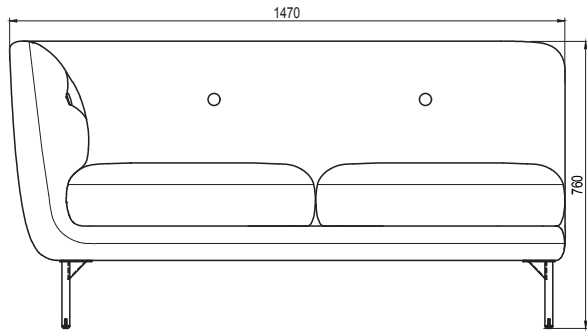
DESIGNER

SAYS WHO

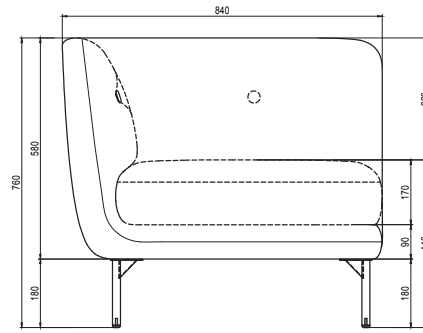
FOOTREST



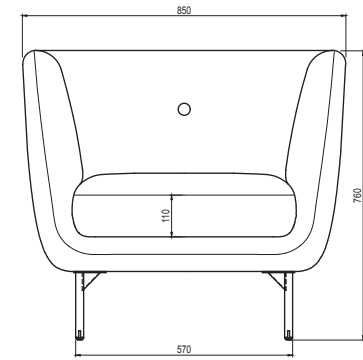
2-SEATER CORNER MODULE, LEFT



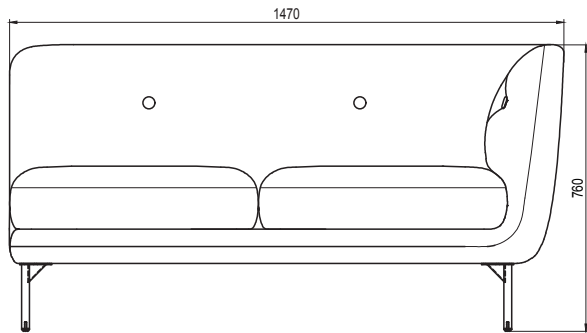
1-SEATER CORNER MODULE, LEFT



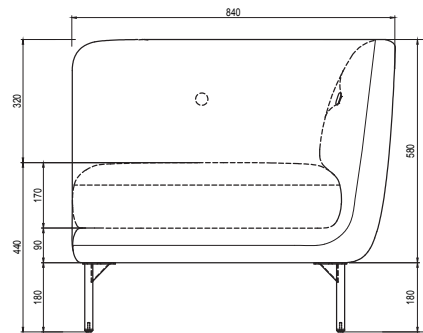
LOUNGE CHAIR



2-SEATER CORNER MODULE, RIGHT



1-SEATER CORNER MODULE, RIGHT



1-SEATER MODULE

