

Astha

LOUNGE CHAIR



Product Description

Our Astha lounge chair is a classic lounge chair with a modern twist. The chair has a light mode of expression with soft cushions and a simple and elegant design.

SOFACOMPANY

MATERIAL COMPONENTS

Frame: FSC wood 100%
Foam: High Resilience Fire Retardant Foam
Legs: Wood: FSC wood 100%
Surface meets requirements of.:
Reach, Painted: standard 16 CFR 1303 – PASS

SAFETY AND STABILITY

Our products are always developed and tested against EN 16139. 1 & 2.
EN-1021 1 & 2, BS5852 0 & 1, CA TB 117-2013.

PACKAGING MATERIAL & SHIPPING

The use of packaging materials are minimized without compromising protection of the product during transport. Chairs and sofas are protected in a cardboard box and when needed wrapped in a protective layer of recycled plastic. Shipping and transportation is in addition CO2 neutral.

PACKAGE MEASUREMENTS

55 x 79 x 91 cm, 25 kg

WARRANTY

Warranty against manufacturing defects (materials and craftsmanship) is standard as follows:

Frame: Lifetime
Foam: 5 years
Upholstery/Fabric: 5 years

Wear, tear and damages to the products are not covered under this warranty.

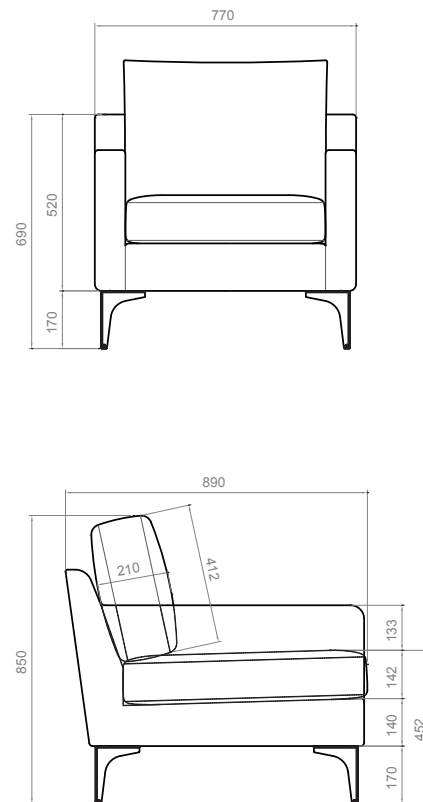
TEXTILE

See our textiles [here](#)

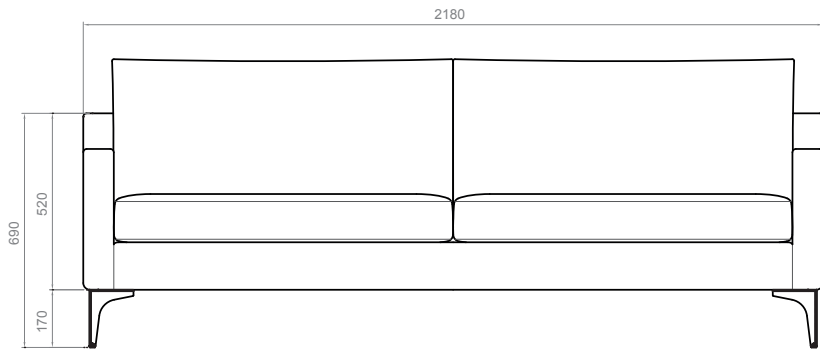
DESIGNER

Cathrine Rudolph

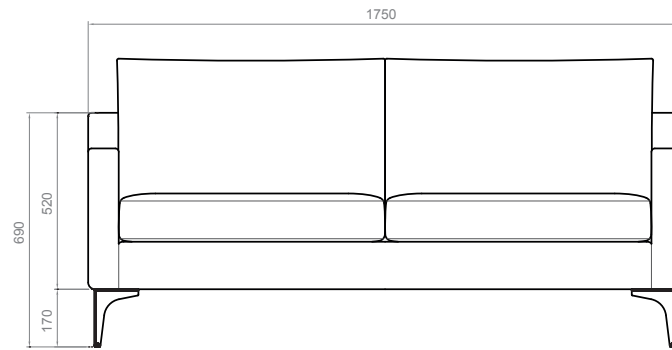
LOUNGE CHAIR



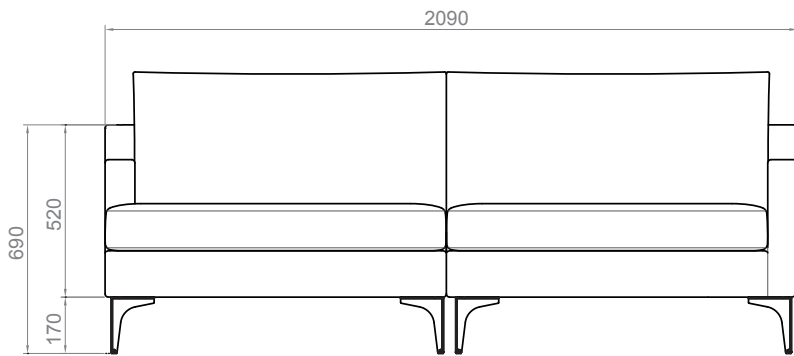
3-SEATER SOFA



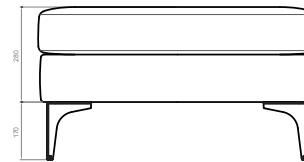
2-SEATER SOFA



CHAISELONG SOFA



FOOTREST



FOOTREST XL

