

# Douglas

3-SEATER SOFA



---

Douglas is a spacious 3-seater sofa with a wide seating depth that makes you want to kick back and relax. Douglas has a classic look with wide armrests and soft, loose cushions as well as discreet wooden legs, creating a light and airy look that fits into any space. You can also combine the sofa with the Douglas footrest (small), which can extend the sofa to a chaise lounge when needed.

**SOFACOMPANY**

## MATERIAL COMPONENTS

Frame: FSC wood 100%

Foam: High Resilience Fire Retardant Foam

Legs: Wood: FSC wood 100%

Surface meets requirements of.:

Reach, Painted: standard 16 CFR 1303 – PASS

## SAFETY AND STABILITY

Our products are always developed and tested against EN 16139. 1 & 2.

EN-1021 1 & 2, BS5852 0 & 1, CA TB 117-2013.

## PACKAGING MATERIAL & SHIPPING

The use of packaging materials are minimized without compromising protection of the product during transport. Chairs and sofas are protected in a cardboard box and when needed wrapped in a protective layer of recycled plastic. Shipping and transportation is in addition CO2 neutral.

## PACKAGE MEASUREMENTS

56 x 221 x 99 cm, 64 kg

## WARRANTY

Warranty against manufacturing defects (materials and craftsmanship) is standard as follows:

Frame: Lifetime

Foam: 5 years

Upholstery/Fabric: 5 years

Wear, tear and damages to the products are not covered under this warranty.

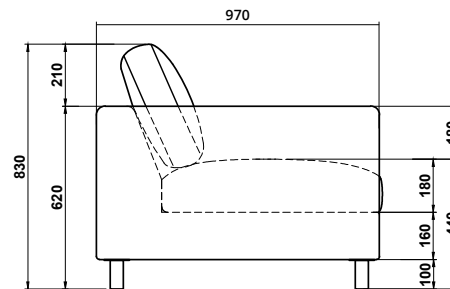
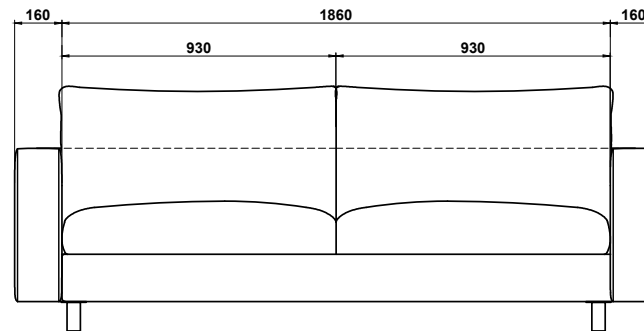
## TEXTILE

See our textiles [here](#)

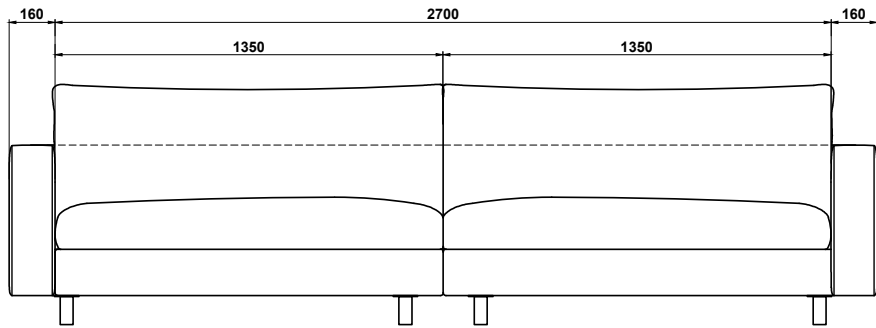
## DESIGNER

SAYS WHO

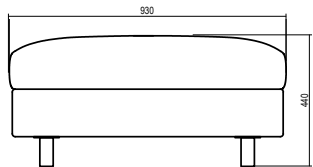
## 3-SEATER SOFA



## 4-SEATER SOFA



## FOOTREST



## FOOTREST XL

