

Douglas

FOOTREST



Our Douglas footrest can be used as a small chaise longue transforming your Douglas 3-seater or 4-seater sofa into a serious floater sofa. The footrest is also suitable to be used as an extra seat or as a table for books, magazines or a tray to put your coffee on. The look is like the sofa; classic with a square shape and a soft loose cushion. The discrete wooden legs makes the product look light and airy despite of the size of the footrest. NB: The 'crocodile' mounting and the triangle-receiver will be included in the box if you wish to mount the footrest as a fixed chaise longue.

SOFACOMPANY

MATERIAL COMPONENTS

Frame: FSC wood 100%
Foam: High Resilience Fire Retardant Foam
Legs: Wood: FSC wood 100%
Surface meets requirements of.:
Reach, Painted: standard 16 CFR 1303 – PASS

SAFETY AND STABILITY

Our products are always developed and tested against EN 16139. 1 & 2.
EN-1021 1 & 2, BS5852 0 & 1, CA TB 117-2013.

PACKAGING MATERIAL & SHIPPING

The use of packaging materials are minimized without compromising protection of the product during transport. Chairs and sofas are protected in a cardboard box and when needed wrapped in a protective layer of recycled plastic. Shipping and transportation is in addition CO2 neutral.

PACKAGE MEASUREMENTS

37 x 95 x 82 cm, 21 kg

WARRANTY

Warranty against manufacturing defects (materials and craftsmanship) is standard as follows:

Frame: Lifetime
Foam: 5 years
Upholstery/Fabric: 5 years

Wear, tear and damages to the products are not covered under this warranty.

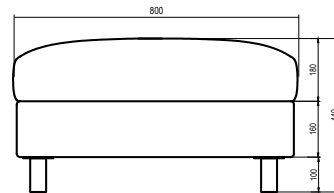
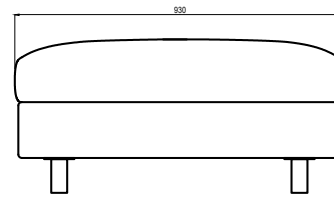
TEXTILE

See our textiles [here](#)

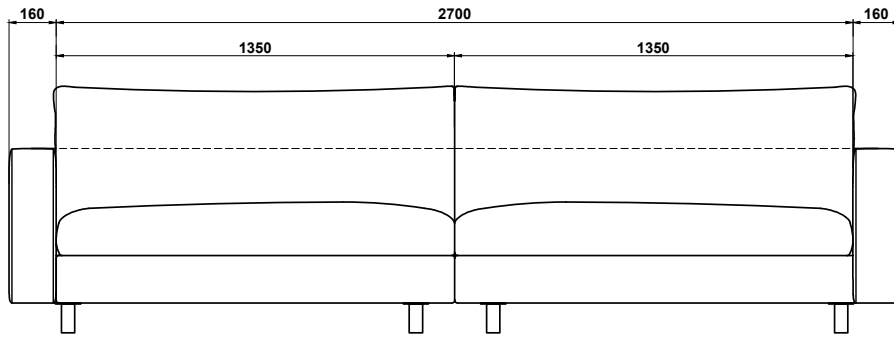
DESIGNER

SAYS WHO

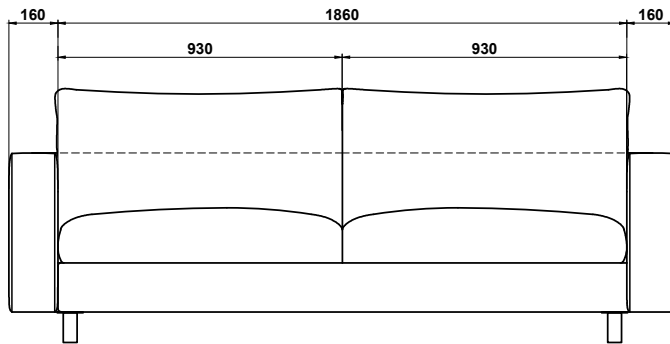
FOOTREST



4-SEATER SOFA



3-SEATER SOFA



FOOTREST XL

