

# Elba

CHAISE LOUNGE SOFA, RIGHT



---

Elba chaise lounge is a beautiful and decorative piece of furniture with references to the art deco style – and with the feel and function of a daybed. It has a beautifully half-rounded backrest and a plump seat cushion. The design combines the sculptural look with modern comfort and the attractive, straight legs in brass look make for a perfect and extravagant finish.

**SOFACOMPANY**

## MATERIAL COMPONENTS

Frame: FSC wood 100%

Foam: High Resilience Fire Retardant Foam

Legs: Wood: FSC wood 100%

Surface meets requirements of.:

Reach, Painted: standard 16 CFR 1303 – PASS

## SAFETY AND STABILITY

Our products are always developed and tested against EN 16139. 1 & 2.

EN-1021 1 & 2, BS5852 0 & 1, CA TB 117-2013.

## PACKAGING MATERIAL & SHIPPING

The use of packaging materials are minimized without compromising protection of the product during transport. Chairs and sofas are protected in a cardboard box and when needed wrapped in a protective layer of recycled plastic. Shipping and transportation is in addition CO2 neutral.

## PACKAGE MEASUREMENTS

65 x 174 x 88 cm, 33 kg

## WARRANTY

Warranty against manufacturing defects (materials and craftsmanship) is standard as follows:

Frame: Lifetime

Foam: 5 years

Upholstery/Fabric: 5 years

Wear, tear and damages to the products are not covered under this warranty.

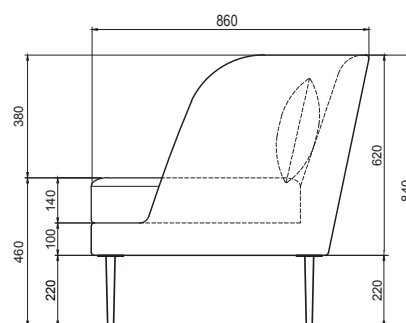
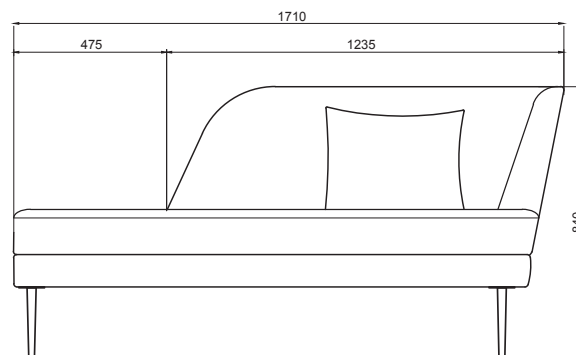
## TEXTILE

See our textiles [here](#)

## DESIGNER

Cathrine Rudolph

## CHAISE LOUNGE SOFA, RIGHT



CHAISE LOUNGE SOFA, LEFT

