

Ellis

1-SEATER ARM MODULE, MOVABLE ARM



Ellis has a soft and curvy design that feels very contemporary and elegant. The modules can be adapted endlessly no matter if looking for a regular straight sofa, a corner sofa, a chaiselong sofa or a U sofa. In other words, so many variations for both small and larger spaces. This 1-seater module is even more flexible as the moveable armrest makes it possible to extend the sofa in any direction you wish.

SOFACOMPANY

MATERIAL COMPONENTS

Frame: FSC wood 100%
Foam: High Resilience Fire Retardant Foam
Legs: Wood: FSC wood 100%
Surface meets requirements of.:
Reach, Painted: standard 16 CFR 1303 – PASS

SAFETY AND STABILITY

Our products are always developed and tested against EN 16139. 1 & 2.
EN-1021 1 & 2, BS5852 0 & 1, CA TB 117-2013.

PACKAGING MATERIAL & SHIPPING

The use of packaging materials are minimized without compromising protection of the product during transport. Chairs and sofas are protected in a cardboard box and when needed wrapped in a protective layer of recycled plastic. Shipping and transportation is in addition CO2 neutral.

PACKAGE MEASUREMENTS

60 x 105 x 96 cm, 36 kg

WARRANTY

Warranty against manufacturing defects (materials and craftsmanship) is standard as follows:

Frame: Lifetime
Foam: 5 years
Upholstery/Fabric: 5 years

Wear, tear and damages to the products are not covered under this warranty.

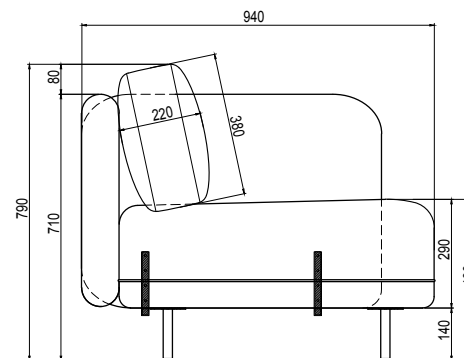
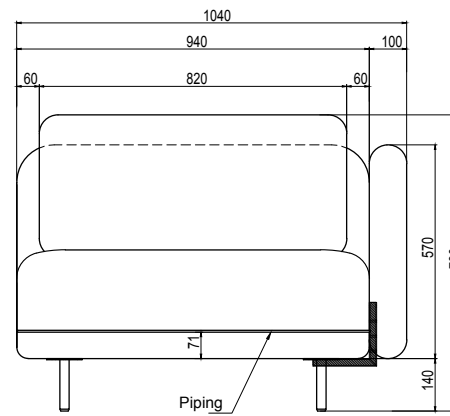
TEXTILE

See our textiles [here](#)

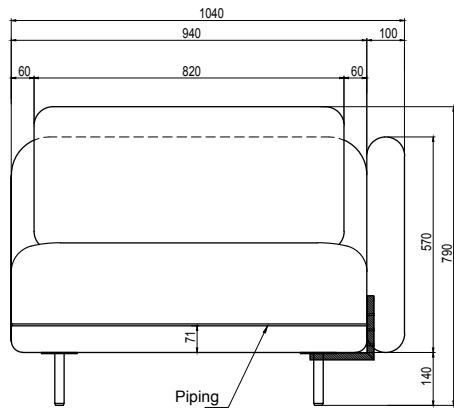
DESIGNER

Steffensen & Wurtz

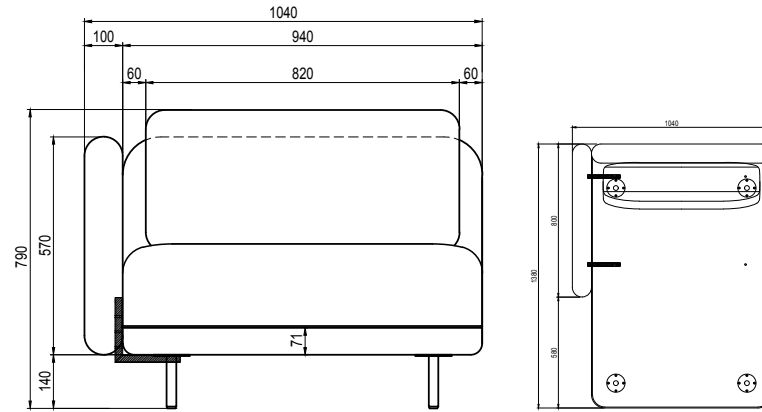
1-SEATER ARM MODULE, MOVABLE ARM



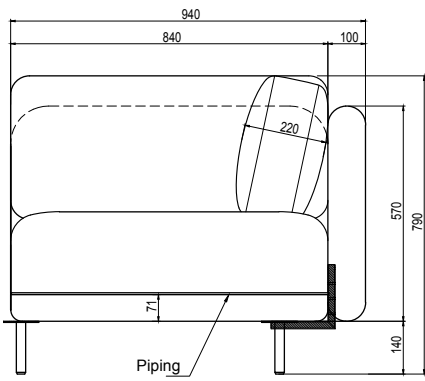
1-SEATER MODULE



1-SEATER CHAISE LOUNGE MODULE, MOVABLE ARM



1-SEATER CORNER MODULE, MOVABLE ARM



FOOTREST

