

Ellis

1-SEATER MODULE



Ellis has a soft and curvy design with a contemporary and elegant twist. Ellis' modules can be adapted endlessly and can be combined for instance into a regular straight sofa, a corner sofa, a chaiselong sofa or as a U-sofa. In other words, so many variations for both small and larger spaces.

SOFACOMPANY

MATERIAL COMPONENTS

Frame: FSC wood 100%

Foam: High Resilience Fire Retardant Foam

Legs: Wood: FSC wood 100%

Surface meets requirements of.:

Reach, Painted: standard 16 CFR 1303 – PASS

SAFETY AND STABILITY

Our products are always developed and tested against EN 16139. 1 & 2.

EN-1021 1 & 2, BS5852 0 & 1, CA TB 117-2013.

PACKAGING MATERIAL & SHIPPING

The use of packaging materials are minimized without compromising protection of the product during transport. Chairs and sofas are protected in a cardboard box and when needed wrapped in a protective layer of recycled plastic. Shipping and transportation is in addition CO2 neutral.

PACKAGE MEASUREMENTS

60 x 96 x 96 cm, 29 kg

WARRANTY

Warranty against manufacturing defects (materials and craftsmanship) is standard as follows:

Frame: Lifetime

Foam: 5 years

Upholstery/Fabric: 5 years

Wear, tear and damages to the products are not covered under this warranty.

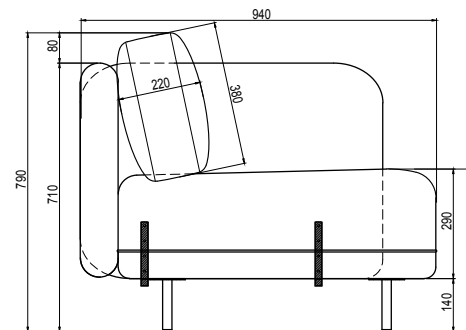
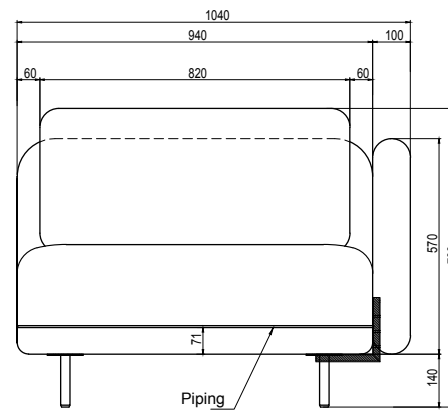
TEXTILE

See our textiles [here](#)

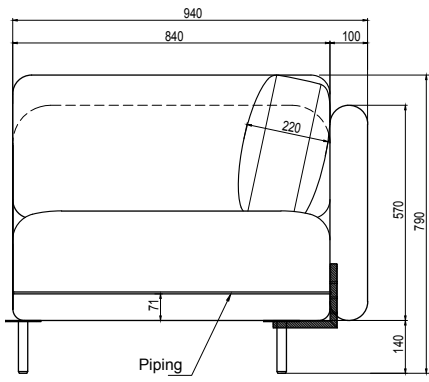
DESIGNER

Steffensen & Wurtz

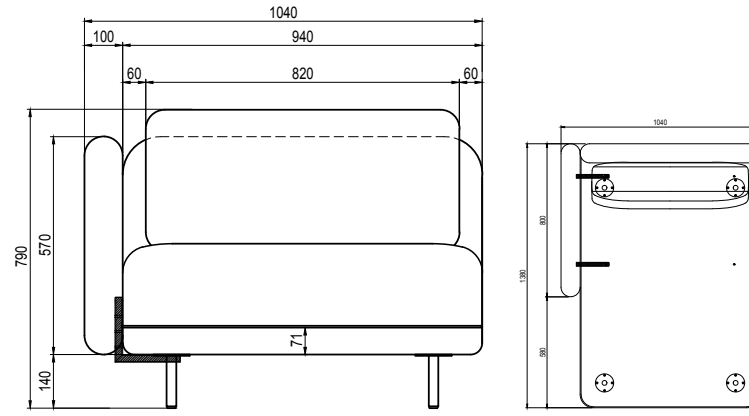
1-SEATER MODULE



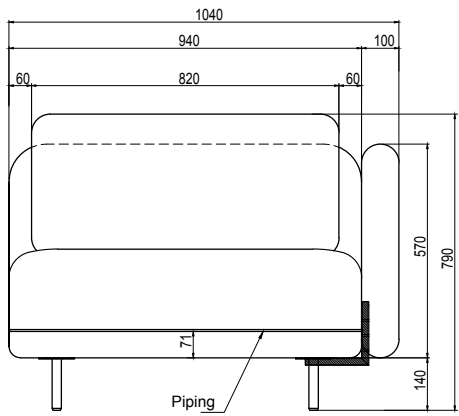
1-SEATER CORNER MODULE, MOVABLE ARM



1-SEATER CHAISE LOUNGE MODULE, MOVABLE ARM



1-SEATER ARM MODULE, MOVABLE ARM



FOOTREST

