

Floyd

LOUNGE CHAIR



Floyd lounge chair is ideal in any contemporary setting with its deep seat, angled backrest and slightly higher armrests. The lounge chair does not only have a stylish, elegant and light design but also a great seating comfort.

SOFACOMPANY

MATERIAL COMPONENTS

Frame: FSC wood 100%

Foam: High Resilience Fire Retardant Foam

Legs: Wood: FSC wood 100%

Surface meets requirements of.:

Reach, Painted: standard 16 CFR 1303 – PASS

SAFETY AND STABILITY

Our products are always developed and tested against EN 16139. 1 & 2.

EN-1021 1 & 2, BS5852 0 & 1, CA TB 117-2013.

PACKAGING MATERIAL & SHIPPING

The use of packaging materials are minimized without compromising protection of the product during transport. Chairs and sofas are protected in a cardboard box and when needed wrapped in a protective layer of recycled plastic. Shipping and transportation is in addition CO2 neutral.

PACKAGE MEASUREMENTS

54 x 83 x 90 cm, 27 kg

WARRANTY

Warranty against manufacturing defects (materials and craftsmanship) is standard as follows:

Frame: Lifetime

Foam: 5 years

Upholstery/Fabric: 5 years

Wear, tear and damages to the products are not covered under this warranty.

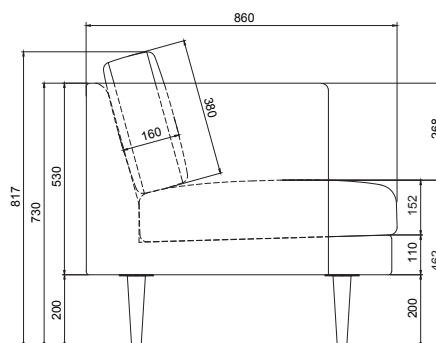
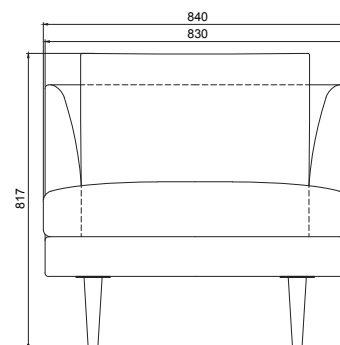
TEXTILE

See our textiles [here](#)

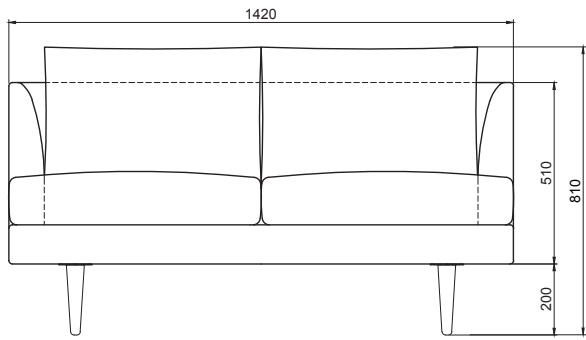
DESIGNER

Cathrine Rudolph

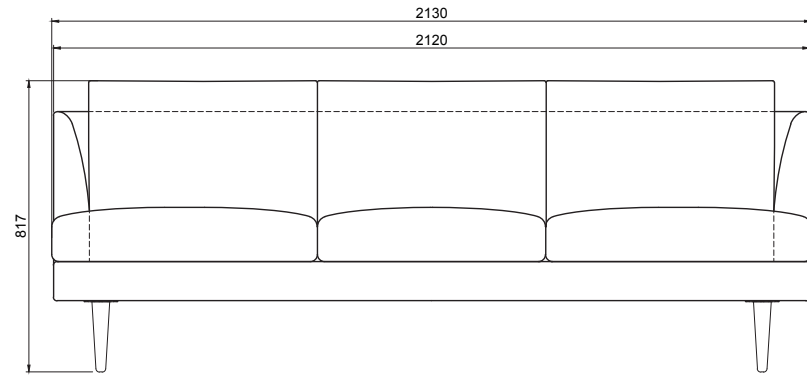
LOUNGE CHAIR



2-SEATER SOFA



3-SEATER SOFA



4-SEATER SOFA

