

# Flynn

2-SEATER SOFA



---

Flynn is a 2-seater sofa with soft shapes and light feel. The design is inspired by the 1950s iconic retro furniture but we've added a hint of something more modern too, so it ends up being a very classic sofa with a contemporary feminine touch.

**SOFACOMPANY**

## MATERIAL COMPONENTS

Frame: FSC wood 100%  
Foam: High Resilience Fire Retardant Foam  
Legs: Wood: FSC wood 100%  
Surface meets requirements of.:  
Reach, Painted: standard 16 CFR 1303 – PASS

## SAFETY AND STABILITY

Our products are always developed and tested against EN 16139. 1 & 2.  
EN-1021 1 & 2, BS5852 0 & 1, CA TB 117-2013.

## PACKAGING MATERIAL & SHIPPING

The use of packaging materials are minimized without compromising protection of the product during transport. Chairs and sofas are protected in a cardboard box and when needed wrapped in a protective layer of recycled plastic. Shipping and transportation is in addition CO2 neutral.

## PACKAGE MEASUREMENTS

69 x 152 x 88 cm, 35 kg

## WARRANTY

Warranty against manufacturing defects (materials and craftsmanship) is standard as follows:

Frame: Lifetime  
Foam: 5 years  
Upholstery/Fabric: 5 years

Wear, tear and damages to the products are not covered under this warranty.

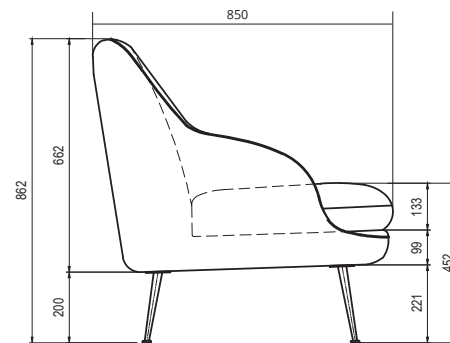
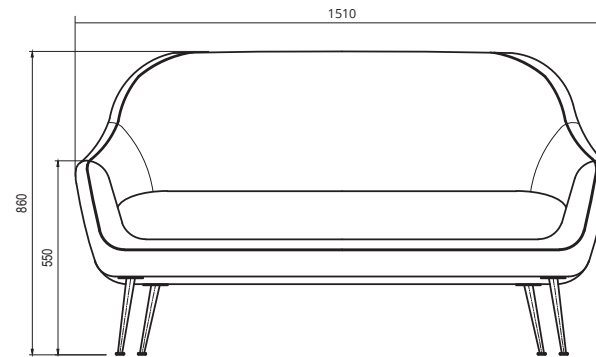
## TEXTILE

See our textiles [here](#)

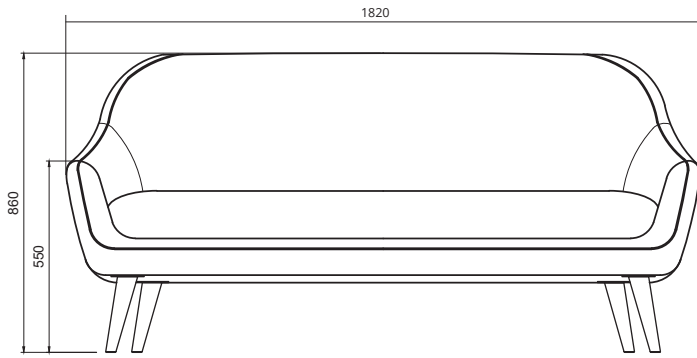
## DESIGNER

Malene Lillilund

## 2-SEATER SOFA



2.5-SEATER SOFA



LOUNGE CHAIR

