

# Harper

LOUNGE CHAIR



---

Harper lounge chair is an classic chair in a lounge look with simple details.  
The armchair has loose cushions that complement the rather angular  
frame. Will definately add a touch of something elegant to any setting.

**SOFACOMPANY**

## MATERIAL COMPONENTS

Frame: FSC wood 100%  
Foam: High Resilience Fire Retardant Foam  
Legs: Wood: FSC wood 100%  
Surface meets requirements of:  
Reach, Painted: standard 16 CFR 1303 – PASS

## SAFETY AND STABILITY

Our products are always developed and tested against EN 16139. 1 & 2.  
EN-1021 1 & 2, BS5852 0 & 1, CA TB 117-2013.

## PACKAGING MATERIAL & SHIPPING

The use of packaging materials are minimized without compromising protection of the product during transport. Chairs and sofas are protected in a cardboard box and when needed wrapped in a protective layer of recycled plastic. Shipping and transportation is in addition CO2 neutral.

## PACKAGE MEASUREMENTS

58 x 87 x 93 cm, 32 kg

## WARRANTY

Warranty against manufacturing defects (materials and craftsmanship) is standard as follows:

Frame: Lifetime  
Foam: 5 years  
Upholstery/Fabric: 5 years

Wear, tear and damages to the products are not covered under this warranty.

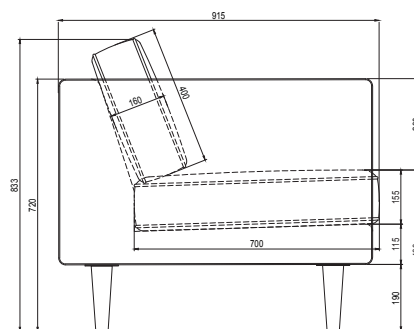
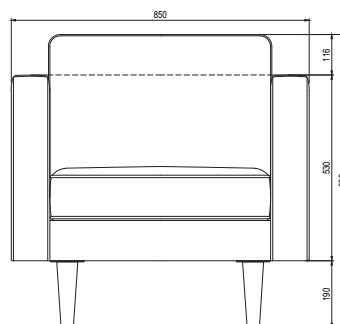
## TEXTILE

See our textiles [here](#)

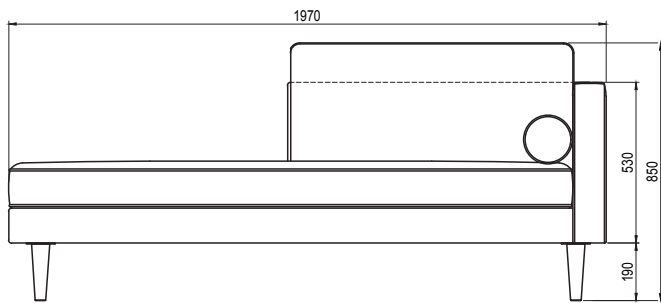
## DESIGNER

Cathrine Rudolph

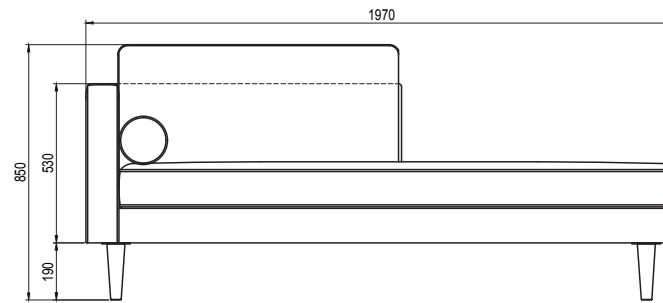
## LOUNGE CHAIR



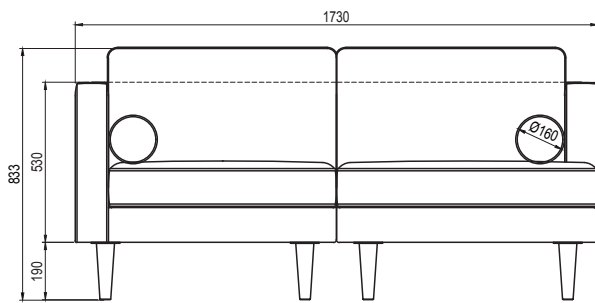
CHAISE LOUNGE, RIGHT



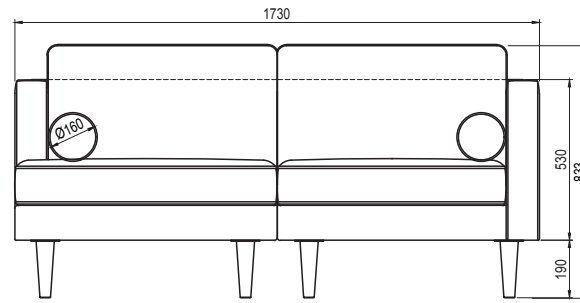
CHAISE LOUNGE, LEFT



2-SEATER CHAISE LOUNGE SOFA, RIGHT



2-SEATER CHAISE LOUNGE SOFA, LEFT



3-SEATER SOFA

