

Vincent

1-SEATER MODULE, ARM RIGHT



Vincent 1-seater module, here with armrest on the right side, is a luxury comfort lounge floater and a bit lower and deeper than most of our sofas. Inspired by Italian style lounge sofas this is the sofa you'd want to float in rather than sit in! Even though the design is rigorous and streamlined the general look and comfort is soft.

SOFACOMPANY

MATERIAL COMPONENTS

Frame: FSC wood 100%
Foam: High Resilience Fire Retardant Foam
Legs: Wood: FSC wood 100%
Surface meets requirements of.:
Reach, Painted: standard 16 CFR 1303 – PASS

SAFETY AND STABILITY

Our products are always developed and tested against EN 16139. 1 & 2.
EN-1021 1 & 2, BS5852 0 & 1, CA TB 117-2013.

PACKAGING MATERIAL & SHIPPING

The use of packaging materials are minimized without compromising protection of the product during transport. Chairs and sofas are protected in a cardboard box and when needed wrapped in a protective layer of recycled plastic. Shipping and transportation is in addition CO2 neutral.

PACKAGE MEASUREMENTS

55 x 112 x 99 cm, 41 kg

WARRANTY

Warranty against manufacturing defects (materials and craftsmanship) is standard as follows:

Frame: Lifetime
Foam: 5 years
Upholstery/Fabric: 5 years

Wear, tear and damages to the products are not covered under this warranty.

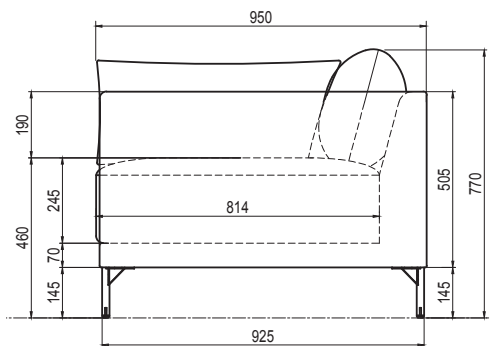
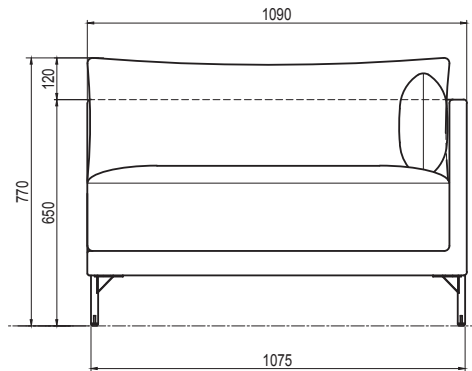
TEXTILE

See our textiles [here](#)

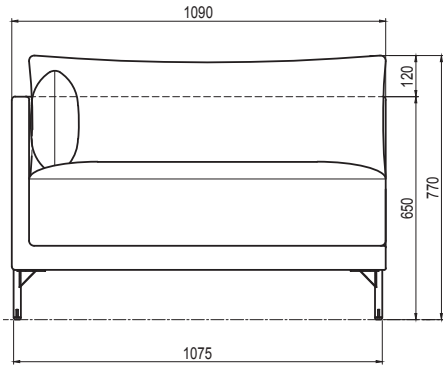
DESIGNER

Nikoline Tryde Hølund

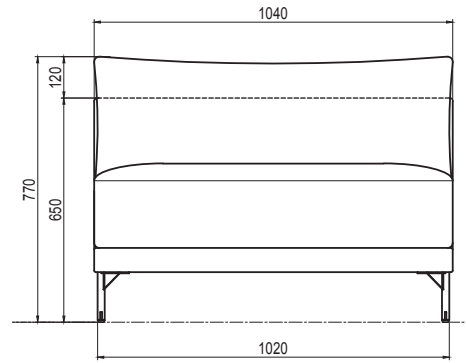
1-SEATER MODULE, ARM RIGHT



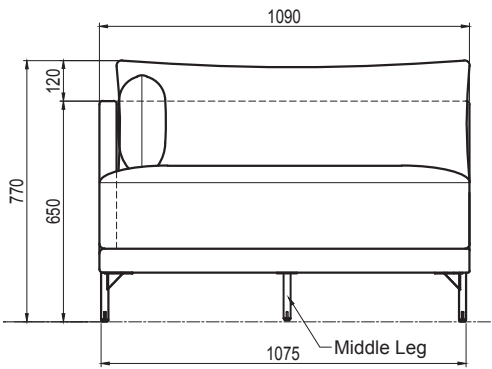
1-SEATER MODULE, ARM LEFT



1-SEATER MODULE



1-SEATER CHAISE LOUNGE MODULE, LEFT



1-SEATER CHAISE LOUNGE MODULE, RIGHT

